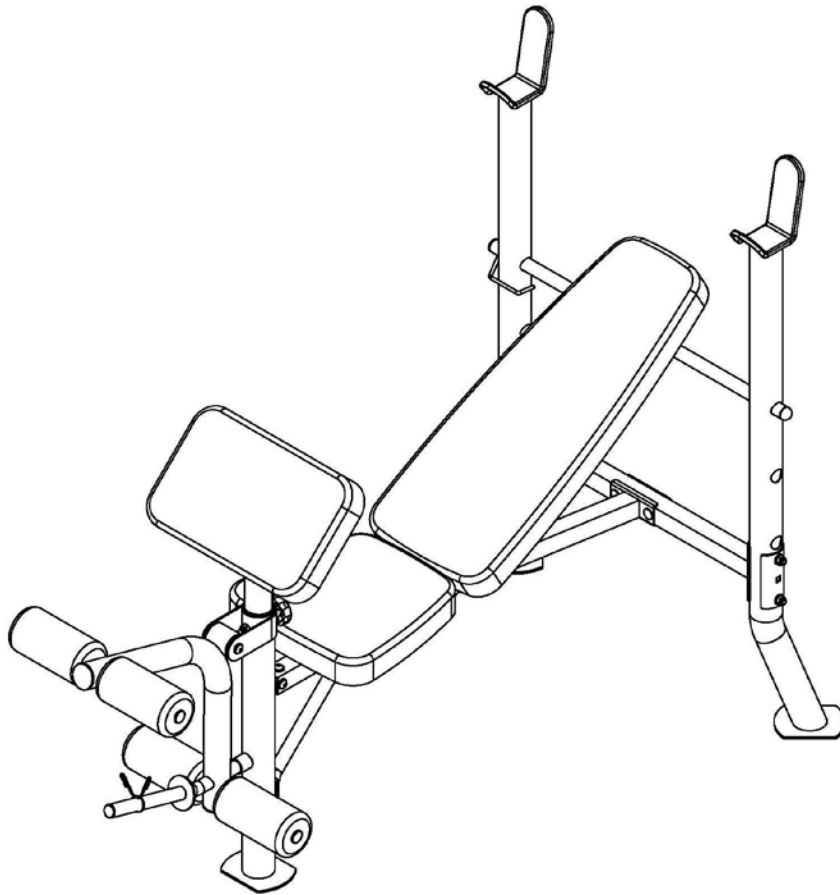


MARCY[®]

STANDARD BENCH

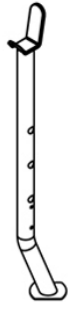
MWB-382



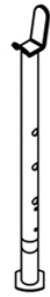
IMPORTANT: Please read the Important Safety Notice and Assembly Information in the Owner's manual before assembling this product.

Assembly Manual

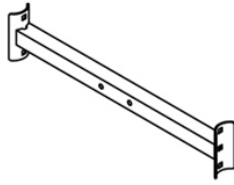
130715



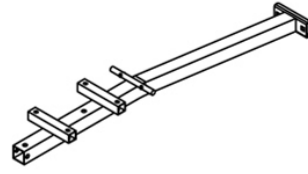
① × 1



② × 1



③ × 1



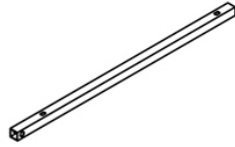
④ × 1



⑤ × 1



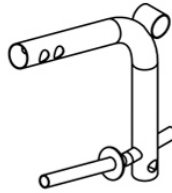
⑥ × 1



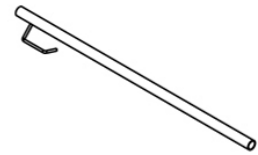
⑦ × 2



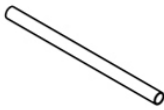
⑧ × 1



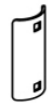
⑨ × 1



⑩ × 1



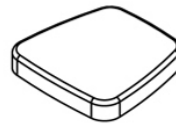
⑪ × 2



⑫ × 2



⑬ × 1



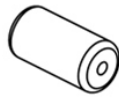
⑭ × 1



⑮ × 1



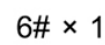
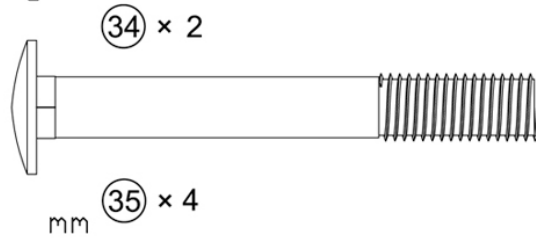
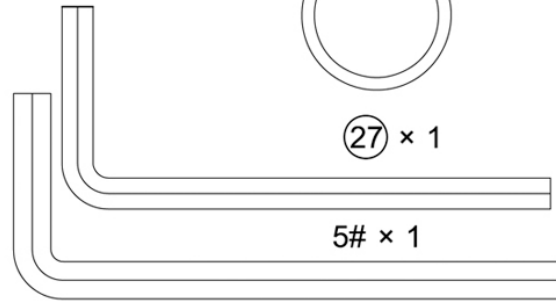
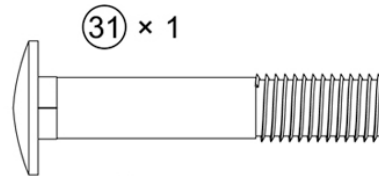
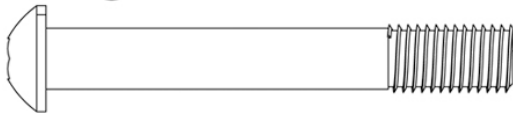
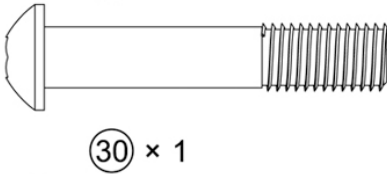
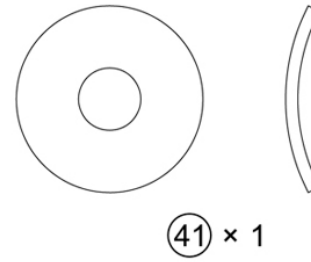
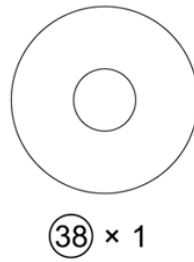
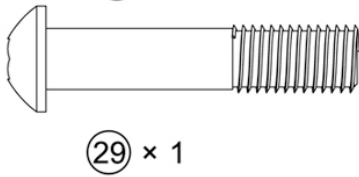
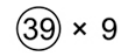
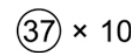
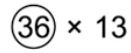
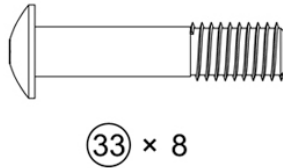
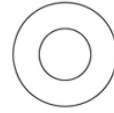
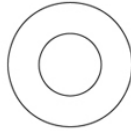
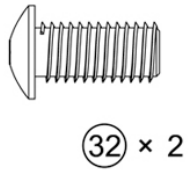
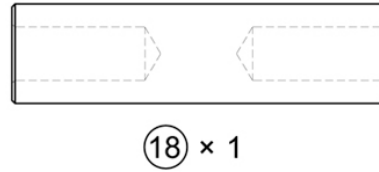
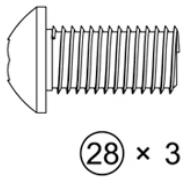
⑯ × 1



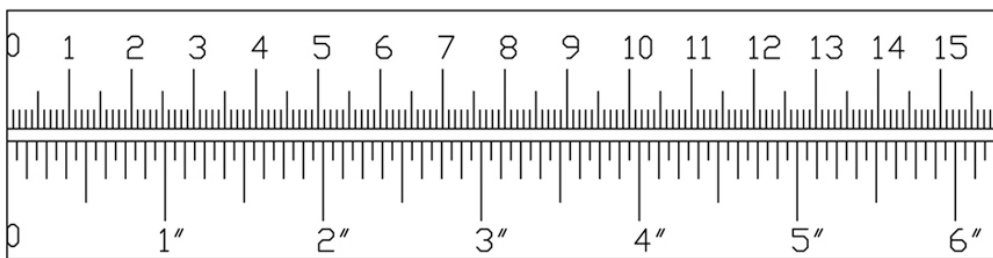
⑰ × 4

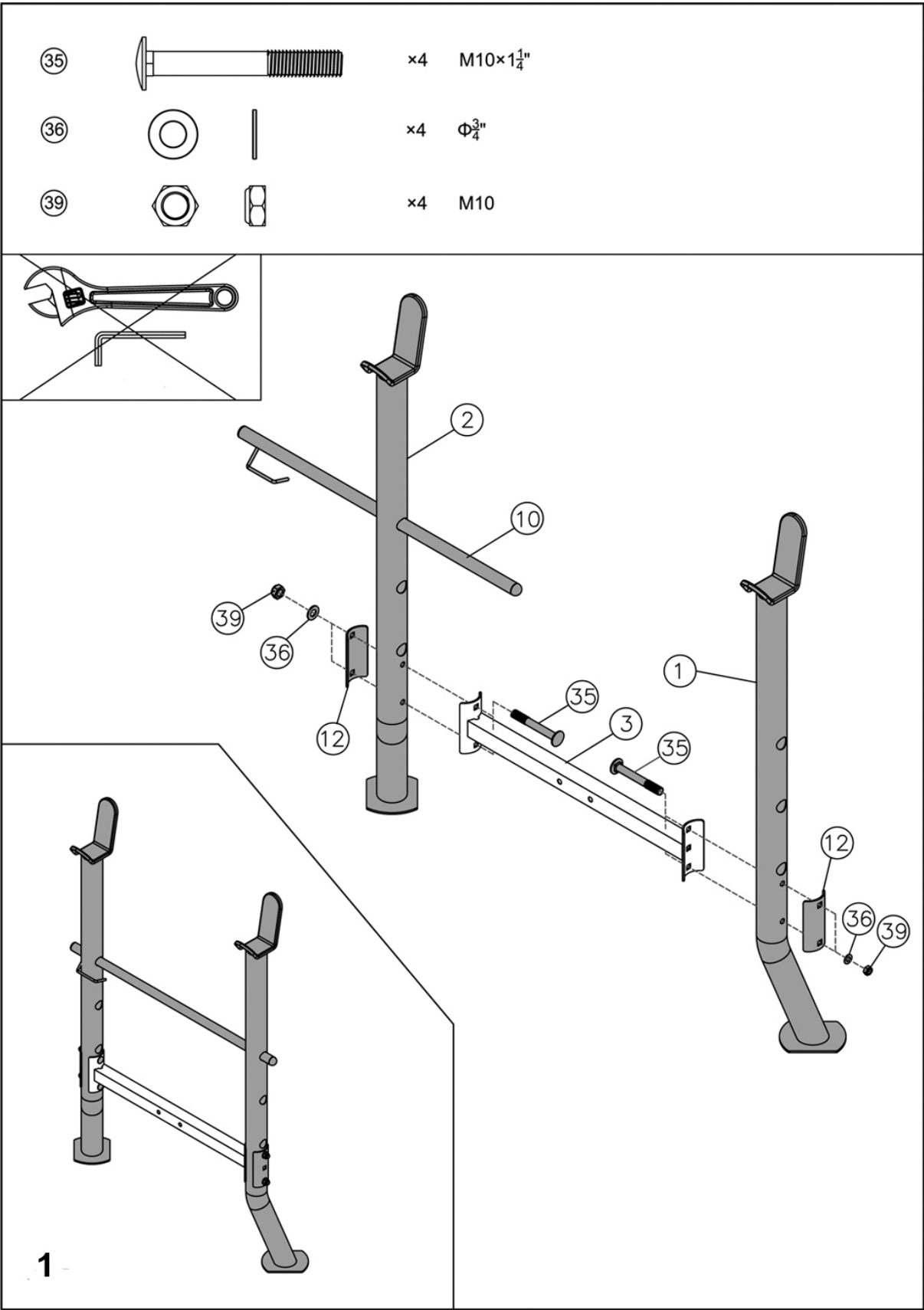


⑲ × 1

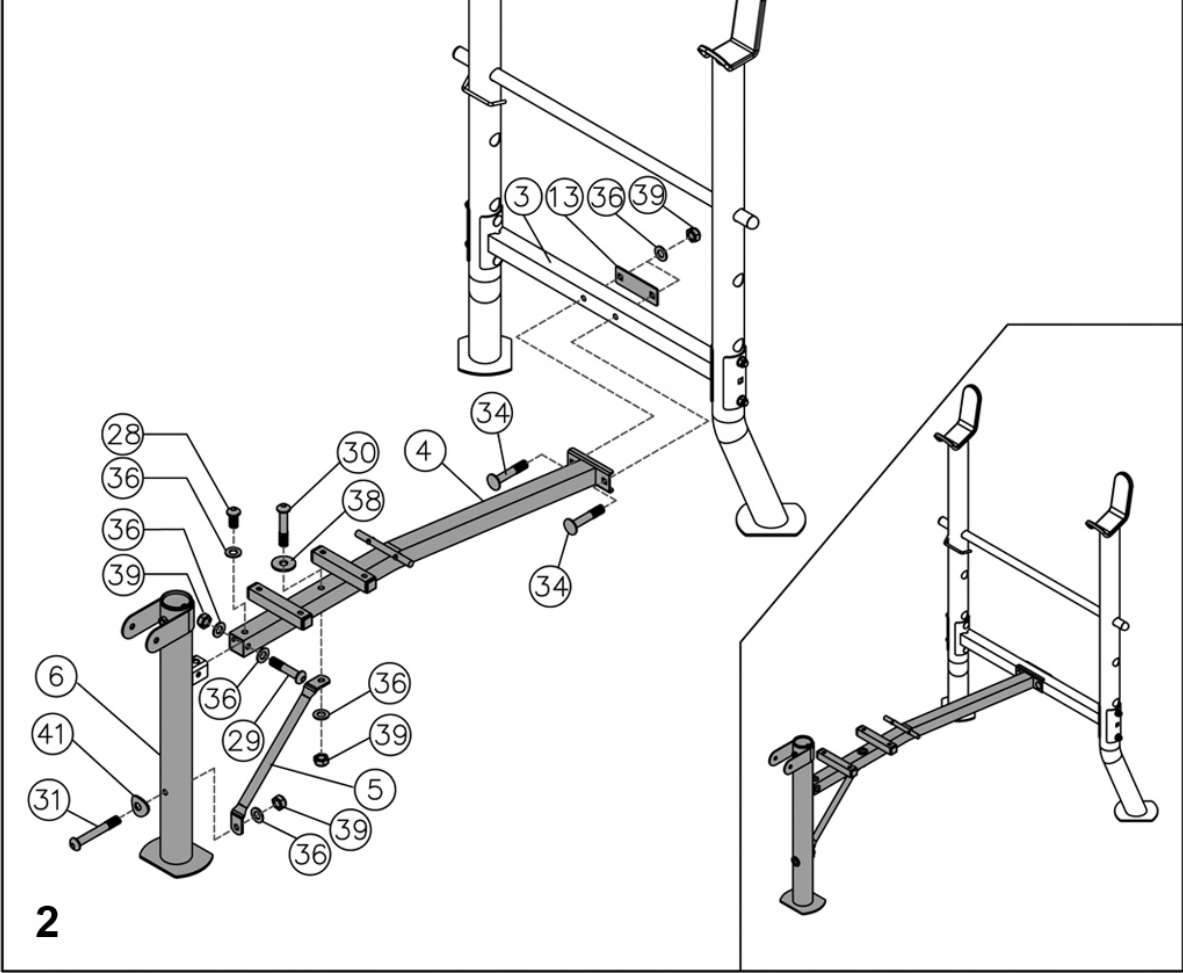
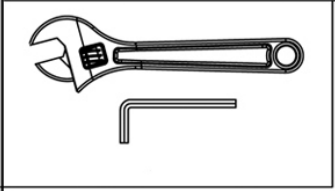


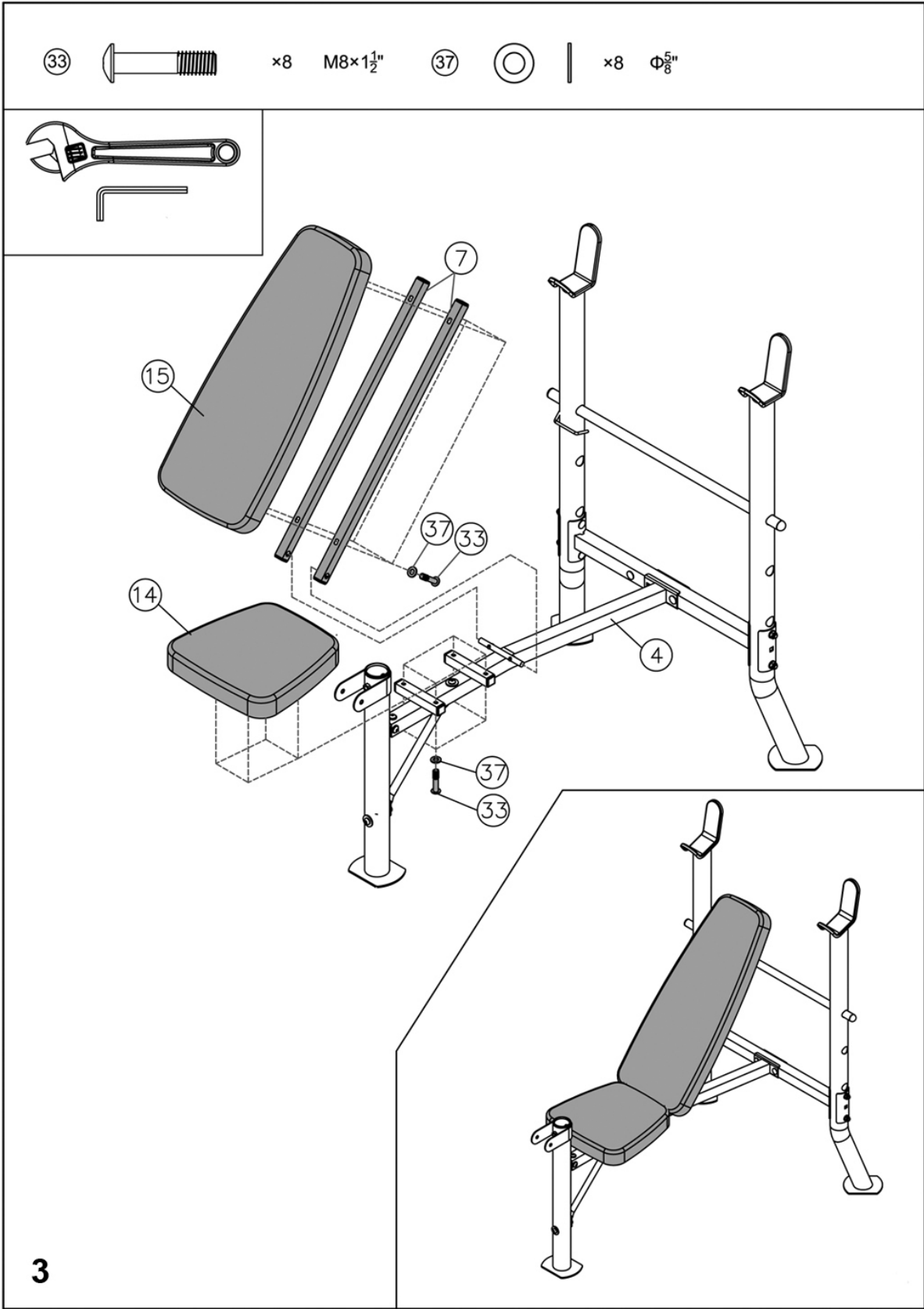
mm

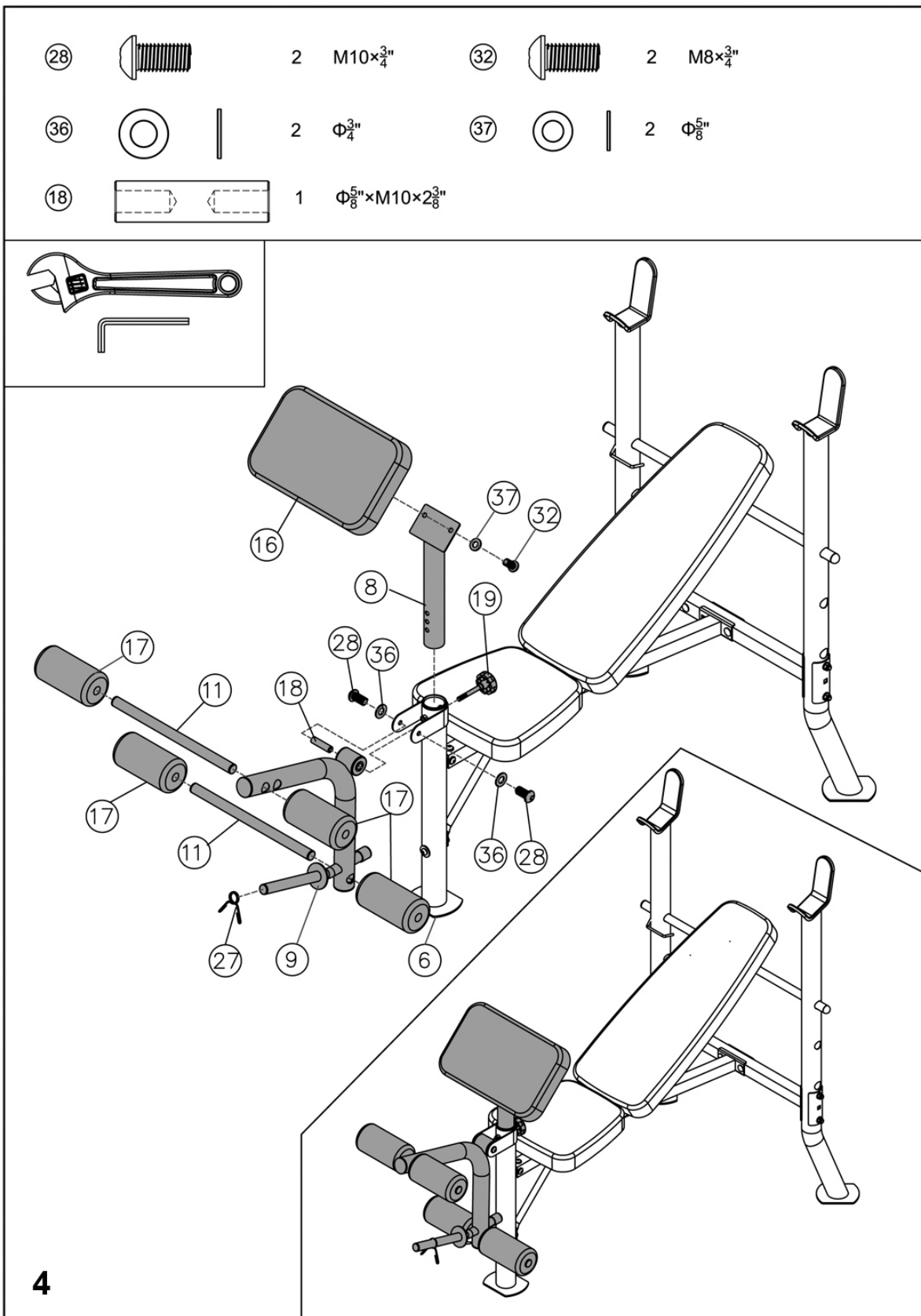


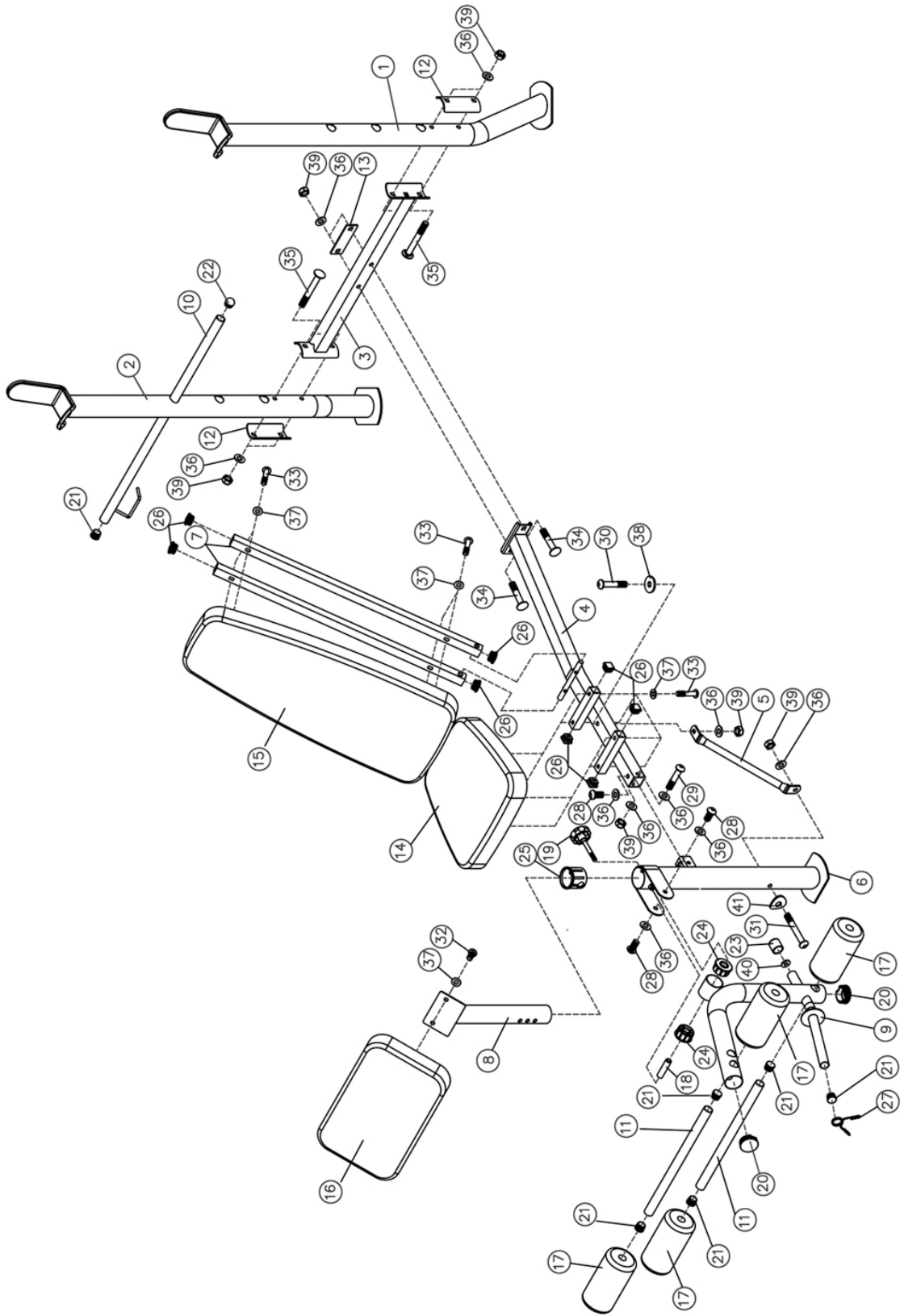


②⑧		x1	M10x $\frac{3}{4}$ "	③⑥		x7	$\Phi\frac{3}{4}$ "
②⑨		x1	M10x2"	③⑧		x1	$\Phi1\frac{1}{4}$ "
③⑦		x1	M10x2 $\frac{1}{8}$ "	③⑨		x5	M10
③①		x1	M10x3"	④①		x1	$\Phi1"$ xR1"
③④		x2	M10x2 $\frac{1}{8}$ "				









IMPEX® INC.

2801 S. Towne Ave, Pomona, CA 91766

Tel: (800) 999-8899 Fax: (626) 961-9966

www.impex-fitness.com

info@impex-fitness.com